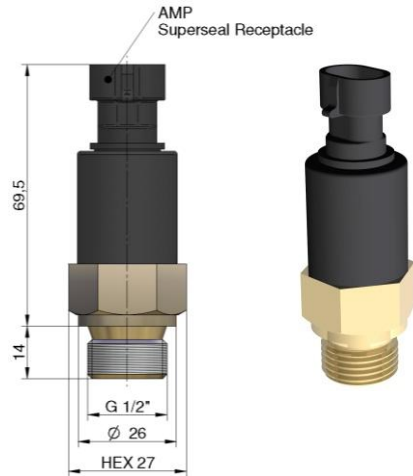


Temperature Switch

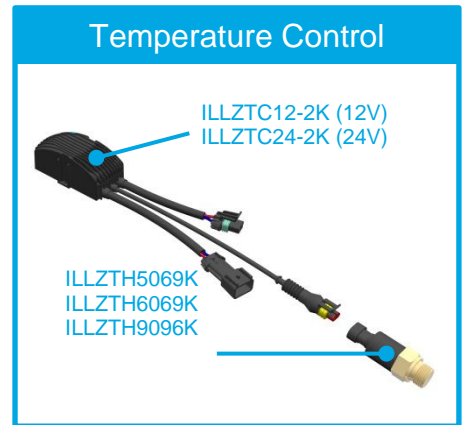
50°C, 60°C, 90°C / IP65, IP69K

According to the cooler type and size, our temperature switches fit on all coolers and connectors with BSP 1/2" threads. Please contact us for the compatibility of the products. IP69K switch types (ILLZTH5069K, ILLZTH6069K and ILLZTH9069K) work in combination with our temperature control units ILLZTC12-2K (12V) and also with ILLZTC24-2K (24V). This is a simple on/off mode, according to the switch temperature. The control unit benefit is the soft start curve, extending the life time of the fan motor.

On request we offer various other bi-metal temperature switches with different temperature settings, protection classes and connection makes.



- NTC sensing
- IP 69K connection
- compact design



Technical Data

order number	description	connection	protection	switch temperature	difference	weight
				[°C]	[°C]	[kg]
ILLZTH5069K	temperature switch 50°C	AMP superseal 1,5	IP 69K	50 ± 5	10	0,10
ILLZTH6069K	temperature switch 60°C	AMP superseal 1,5	IP 69K	60 ± 5	10	0,10
ILLZTH9069K	temperature switch 90°C	AMP superseal 1,5	IP 69K	90 ± 5	10	0,10

Characteristics

screw part material	brass
mounting	any position
max. tightening torque	50Nm
number of cycles	100.000
counter connector	included

Combinations

all coolers and connectors with BSP 1/2" threads
--

Measurement Output

contact	N.O. (normal open)
minimum current	200mA
maximum current	12V AC: 10A
	24V AC: 10A
	120V AC: 15A
	230V AC: 10A

Use power relay for switching!

Ambient Conditions

oil temperature range	-20°C to +100°C
ambient temperature range	-20°C to +85°C
storage temperature range	-60°C to 110°C